



OFF-GRID SOLAR SYSTEM

Guangdong Prostar New Energy Technology Co., Ltd.

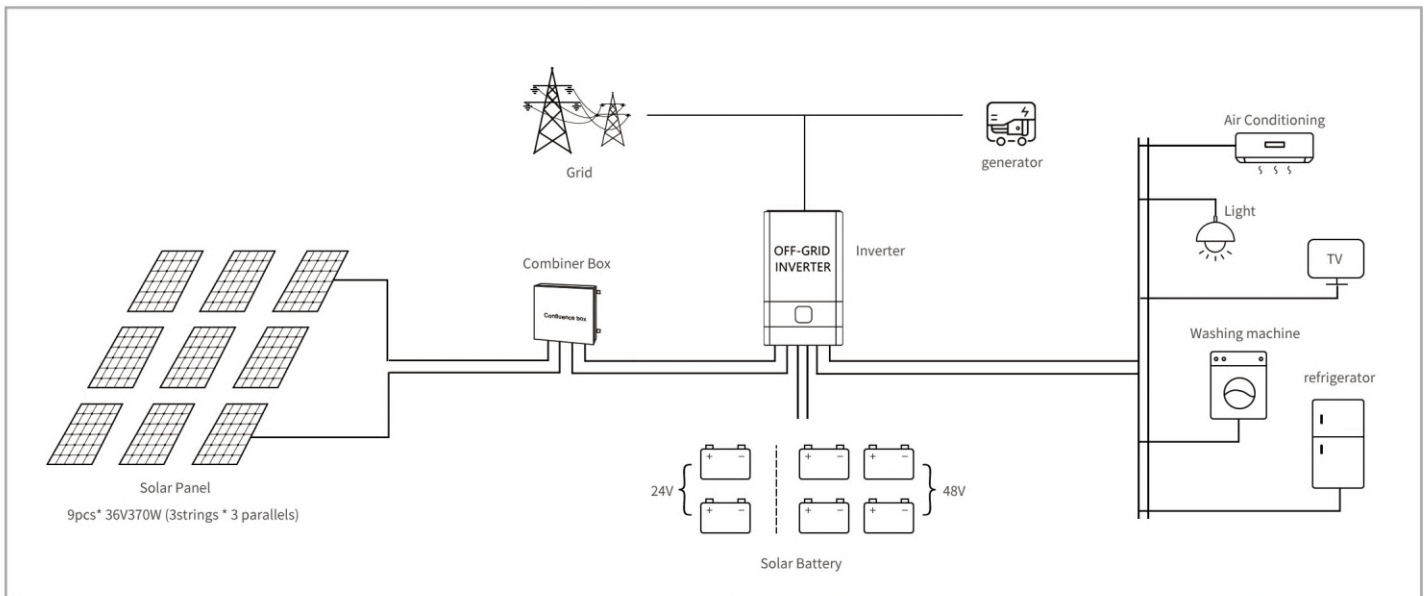
3KW 24VDC / 48VDC Off-Grid Solar System



Solar System Configuration

3KW 24VDC / 48VDC Off-Grid Solar System			
Product Name	Specification	Unit	Qty
1. Equipments			
Mono Solar Panel	36V370W 1956*990*40mm	pcs	9
Off Grid Solar Inverter	3KW 24Vdc / 48Vdc built in MPPT 60A/150Vdc	pcs	1
Combiner Box	4 strings 1000V/40KA/2P lightning arrester	pcs	1
Solar Battery	12V200AH	pcs	2 / 4
Solar Panel Mounting	9pcs* 36V370W (3strings * 3 parallels)	set	1
2. Connection Cables			
Among Solar Panels	4mm ² /1000Vdc	m	100
From Combiner box to Inverter	16mm ²	m	50
From inverter to Battery, Among Batteries	35mm ² / 16mm ²	m	10
3. Accessories			
Circuit breaker for Battery to Inverter	100A/2P / 100A/1P	pcs	1
Connector	MC4 connector	pairs	8

Solar System Diagram



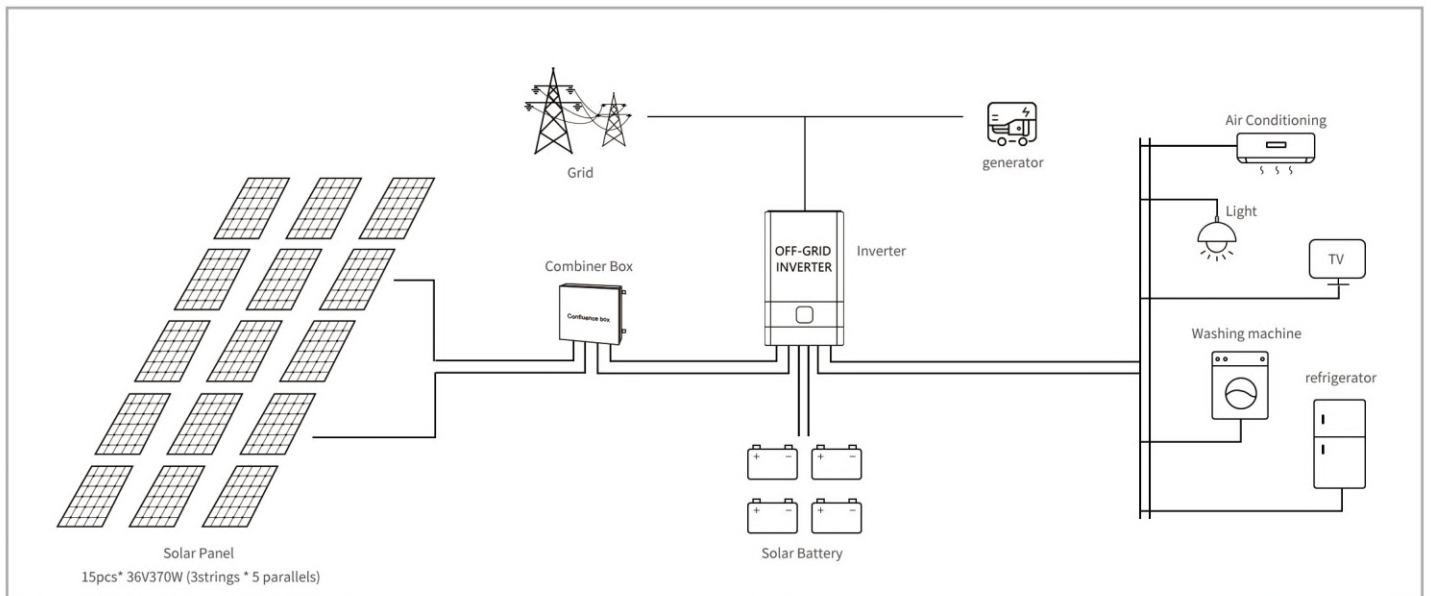
6KW/48VDC Off-Grid Solar System



Solar System Configuration

6KW/48VDC Off-Grid Solar System			
Product Name	Specification	Unit	Qty
1. Equipments			
Mono Solar Panel	36V370W 1956*990*40mm	pcs	15
Off Grid Solar Inverter	6KW/48Vdc built in MPPT 60A/150Vdc	pcs	1
Combiner Box	6 strings, 1000V/40KA/2P lightning arrester	pcs	1
Solar Battery	12V200AH	pcs	4
Solar Panel Mounting	15pcs* 36V370W (3 strings * 5 parallels)	set	1
2. Connection Cables			
Among Solar Panels	4mm ² /1000Vdc	m	100
From Combiner box to Inverter	16mm ²	m	50
From inverter to Battery, Among Batteries	35mm ²	m	20
3. Accessories			
Circuit breaker for Battery to Inverter	100A/1P	pcs	1
Connector	MC4 connector	pairs	12

Solar System Diagram



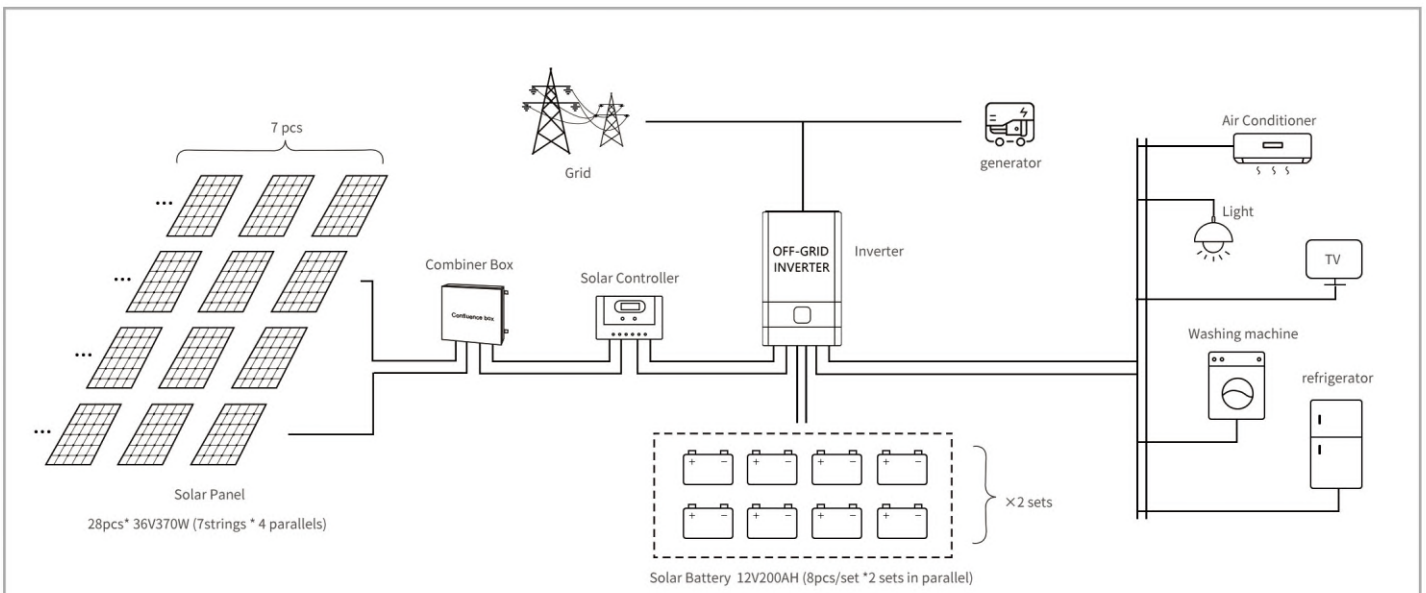
10KW/96VDC Off-Grid Solar System



Solar System Configuration

10KW/96VDC Off-Grid Solar System			
Product Name	Specification	Unit	Qty
1. Equipments			
Mono Solar Panel	36V370W 1956*990*40mm	pcs	28
Off-Grid Solar Inverter	10KW/96Vdc	pcs	1
MPPT Solar Controller	MPPT 100A 430Vdc	pcs	1
Combiner Box	4 strings ,1000V/40KA/2P lightning arrester	pcs	1
Solar Battery	12V200AH (8pcs/set *2 sets in parallel)	pcs	16
Battery Cabinet	V-16 (Load 16pcs * 12V200AH)	pcs	1
Solar Panel Mounting	28pcs* 36V370W (7strings * 4 parallels)	set	1
2. Connection Cables			
Among Solar Panels	4mm ² /1000Vdc	m	100
From Controller to Combiner Box	25mm ²	m	50
From Combiner box to Inverter	35mm ²	m	30
From Inverter to Battery, Among Batteries	35mm ²	m	20
3. Accessories			
Circuit breaker for controller to battery	125A/1P	pcs	1
Circuit breaker for Battery to Inverter	100A/2P	pcs	1
Connector	MC4 connector	pair	10

Solar System Diagram



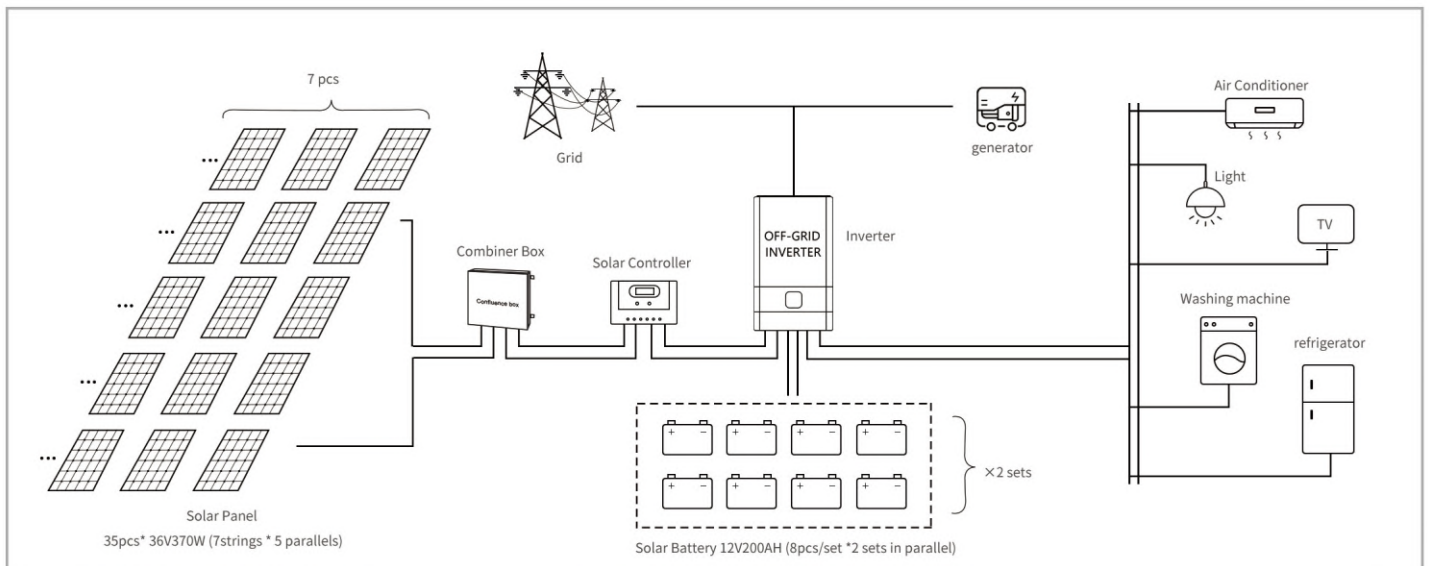
12KW/96VDC Off-Grid Solar System



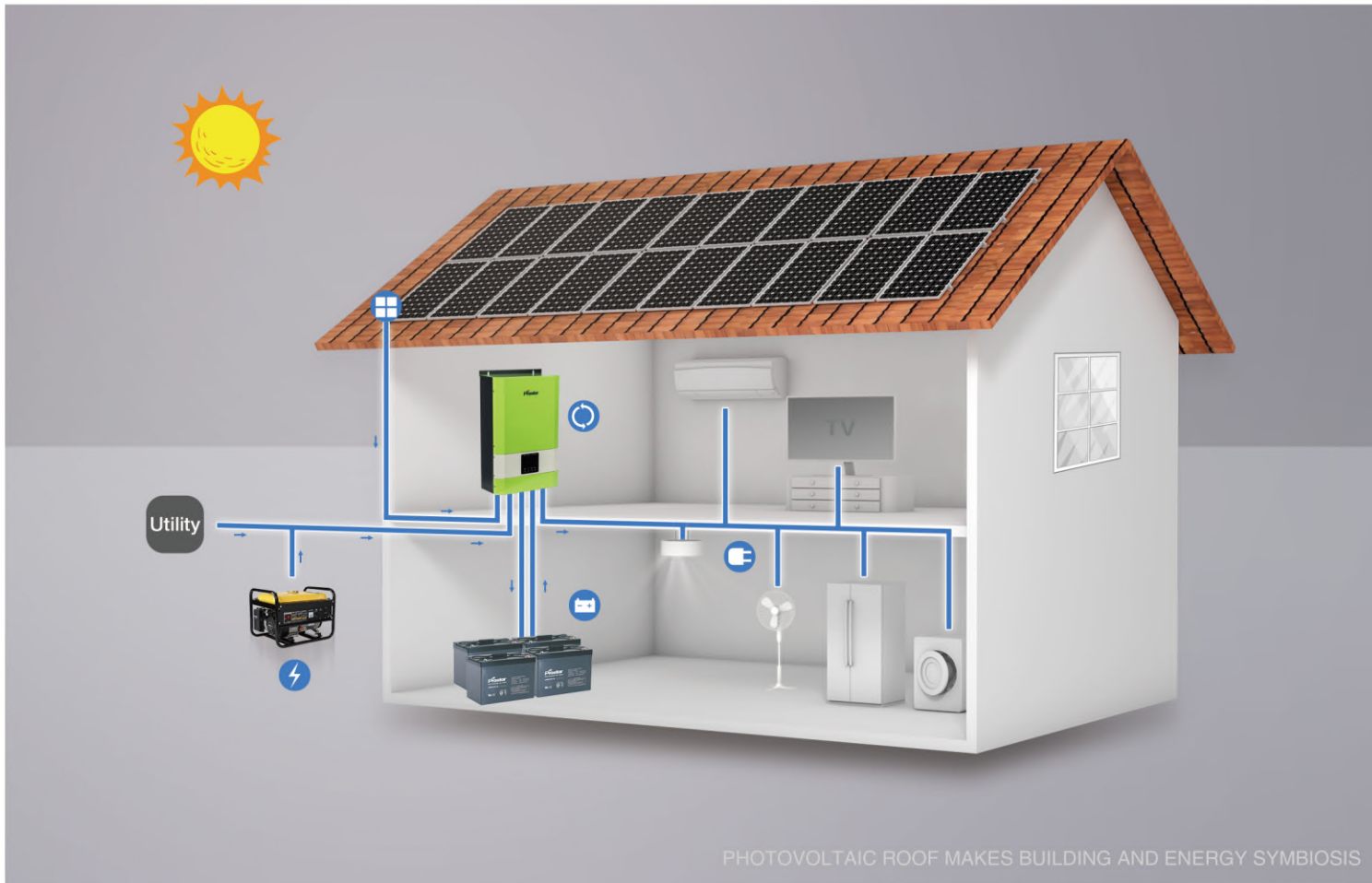
Solar System Configuration

12KW/96VDC Off-Grid Solar System			
Product Name	Specification	Unit	Qty
1. Equipments			
Mono Solar Panel	36V370W 1956*990*40mm	pcs	35
Off-Grid Solar Inverter	12KW/96Vdc	pcs	1
MPPT Solar Controller	MPPT 100A 430Vdc	pcs	1
Combiner Box	6 strings ,1000V/40KA/2P lightning arrester	pcs	1
Solar Battery	12V200AH (8pcs/set *2 sets in parallel)	pcs	16
Battery Cabinet	V-16 (Load 16pcs * 12V200AH)	pcs	1
Solar Panel Mounting	35pcs* 36V370W (7strings * 5 parallels)	set	1
2. Connection Cables			
Among Solar Panels	4mm ² /1000Vdc	m	150
From Controller to Combiner Box	25mm ²	m	50
From Combiner box to Inverter	50mm ²	m	30
From Inverter to Battery, Among Batteries	50mm ²	m	20
3. Accessories			
Circuit breaker for controller to battery	125A/1P	pcs	1
Circuit breaker for Battery to Inverter	100A/2P	pcs	1
Connector	MC4 connector	pair	12

Solar System Diagram



OFF-GRID SOLAR SYSTEM



PHOTOVOLTAIC ROOF MAKES BUILDING AND ENERGY SYMBIOSIS



Solar Module



Off-Grid Inverter



Solar Battery



Generator



Family Loadings

System introduction

Off-grid solar systems are widely used in remote mountainous areas, non-electric areas, islands, communication base stations and other applications. The system generally consists of a photovoltaic array composed of solar modules, off-grid inverter, solar charge controller, battery, combiner box, DC & AC load.

The photovoltaic array converts the solar energy into electric energy in the presence of sunshine, supplies power to the load through the solar charger controller, and simultaneously charges the batteries when there is no sunshine, the batteries supply power to the DC load through the solar charger controller. At the same time, the battery should directly supply power to the inverter, and inverter into an alternating current through a inverter to supply power to the AC load.

Guangdong Prostar New Energy Technology Co., Ltd.

Add.: No. 1 Shijielang Road, LianHe Industrial Zone West Two Zone, Luocun, Shishan, Nanhai, Foshan, Guangdong, China

Tel. : +86-757-81285488

Fax.: +86-757-81285480

Website: www.prostar-cn.com

www.prostarpower.com



CN



EN



ISO9001

